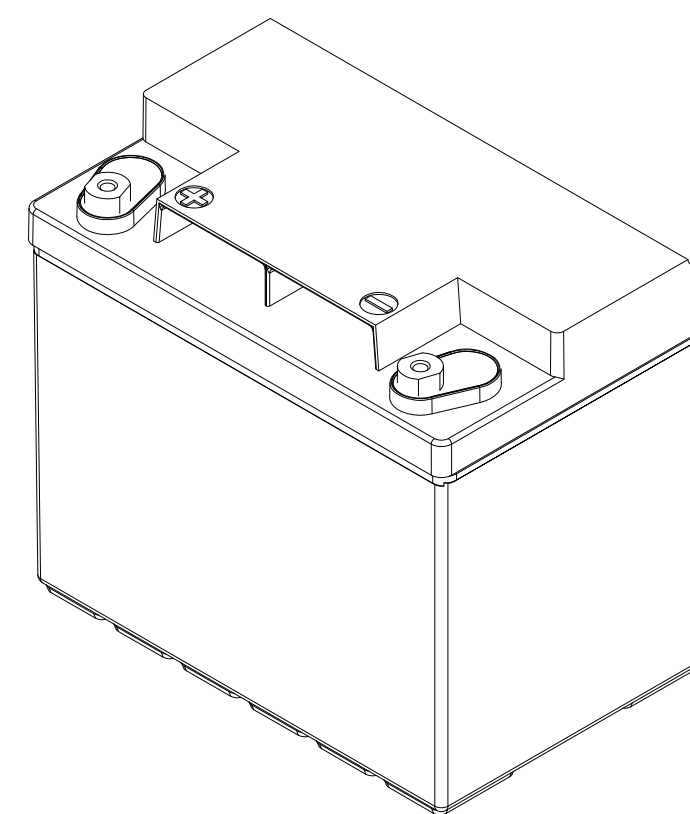
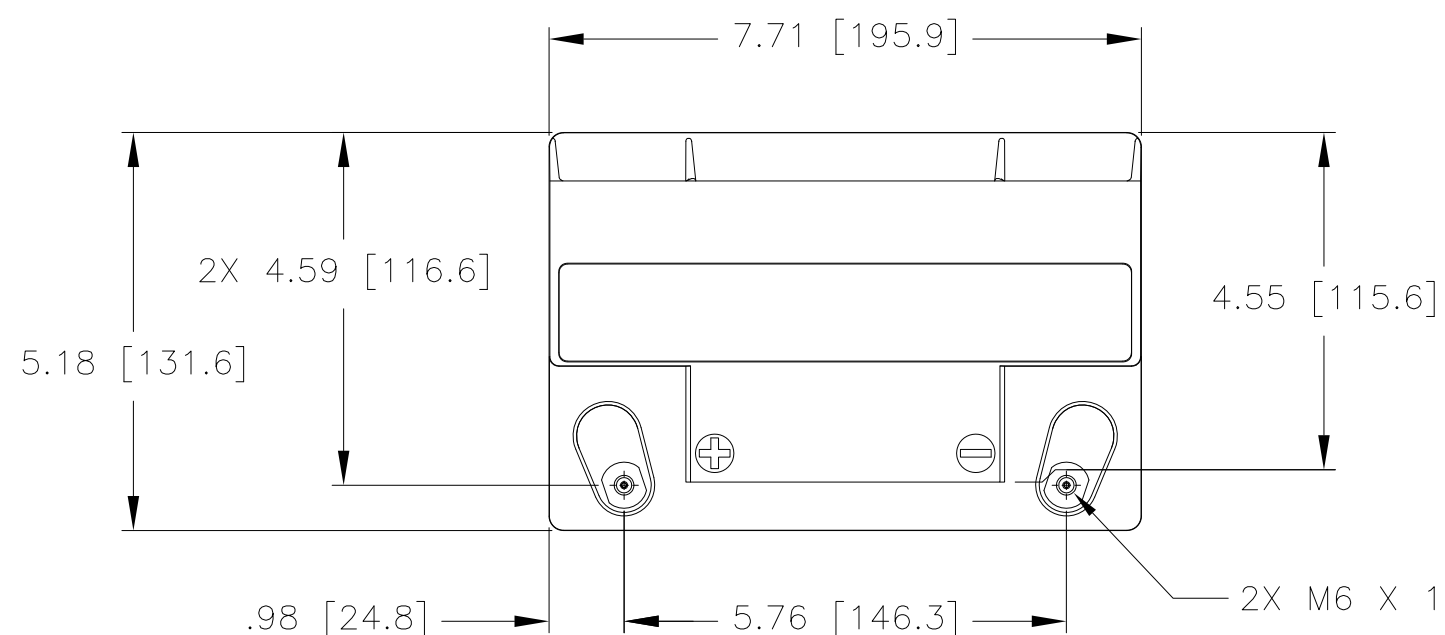


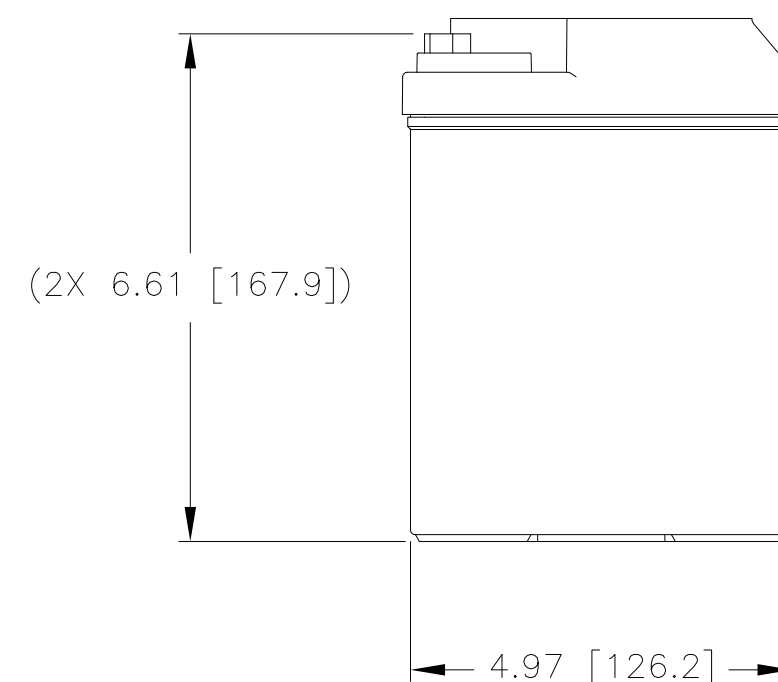
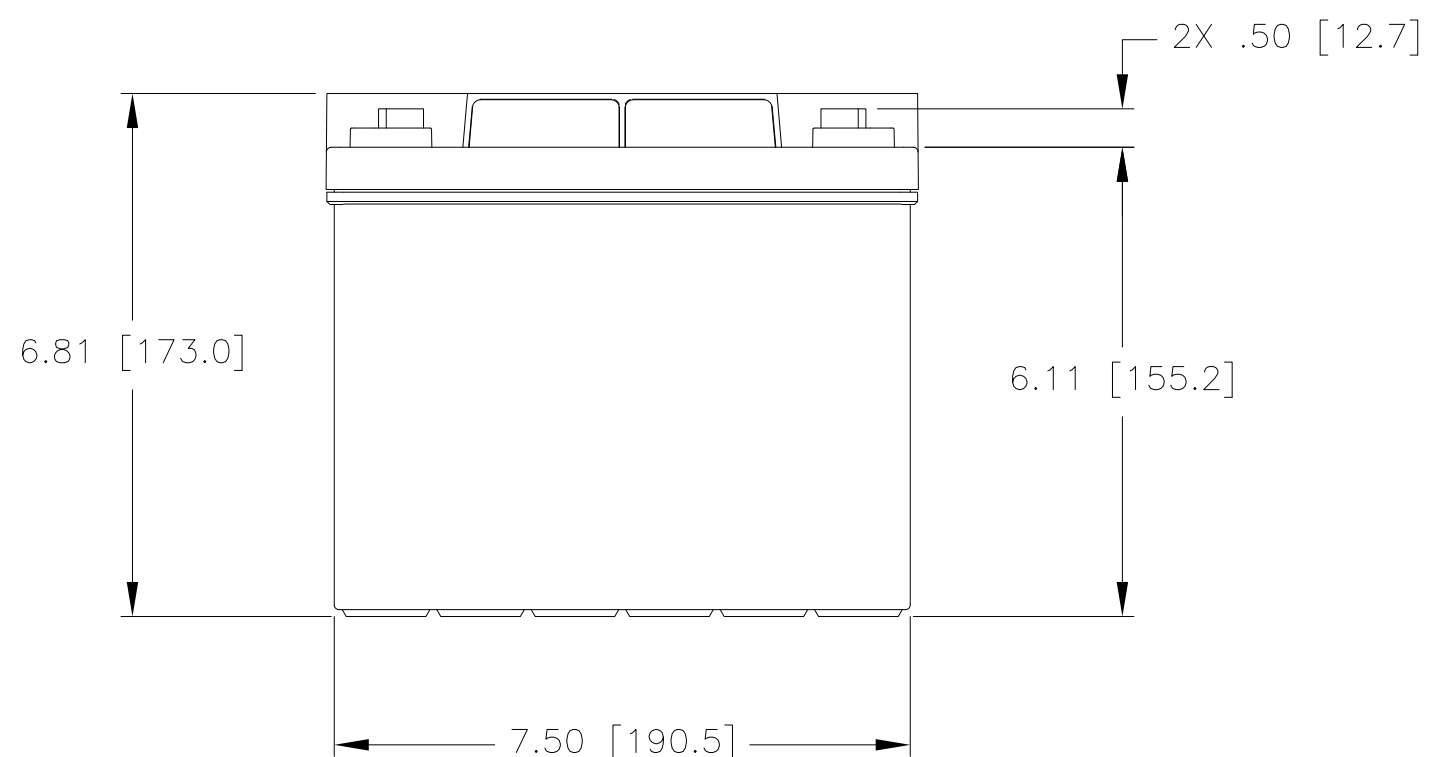
NOTES: UNLESS OTHERWISE SPECIFIED

1. SEE DRAWING NO. CB-00293 AND PROCEDURE P-1000 FOR ASSEMBLY AND TEST INSTRUCTION. PROCEDURES AND ASSEMBLY DRAWINGS ARE FOR INTERNAL USE ONLY.
2. ALL TESTING IS PERFORMED IAW BATTERY COUNCIL INTERNATIONAL STANDARDS.
3. DIMENSIONS ARE INCH [MILLIMETER].
4. ABBREVIATION USED IN TITLE IS: SEALED LEAD ACID (SLA).
5. TERMINAL HARDWARE KIT PROVIDED, PART NUMBER 6932.

REVISIONS			
REV	DESCRIPTION	DATE	APPROVED
A	REVISED NOTE 1	8/29/16	PH
B	REVISED CONTAINER & OAH DIMS	6/10/20	PH



REFERENCE VIEW



ENVELOPE DRAWING

CAPACITY RATINGS	
PART NUMBER	PVX-340T
NOMINAL WEIGHT	25 LBS[11.4 KG]
AMPERE HOUR CAPACITY @ 24 HOUR 1.75 VOLTS/CELL @ 77°F (25° C)	34 AH

QTY REQD	CAGE CODE	PART OR IDENTIFYING NO.	NOMENCLATURE OR DESCRIPTION	MATERIAL SPECIFICATION	ITEM NO.
PARTS LIST					
UNLESS OTHERWISE SPECIFIED DIMENSIONS ARE IN INCHES TOLERANCES ARE: FRACTIONS DECIMALS ANGLES ± 1/32 .XX ± .12 ± 1° .XXX ± .060			CONCORDE BATTERY CORPORATION 2009 SAN BERNARDINO RD, W. COVINA, CA 91790		TITLE BATTERY, SLA, 12 VOLT, PVX-340T
TREATMENT NONE		CONTRACT NO. APPROVALS DRAWN ELH		DATE 8/13/01	
FINISH NONE		CHECKED HRF		DATE 8/20/01	SIZE C
SIMILAR TO		APPROVED JBT		DATE 8/23/01	CAGE CODE 63017
ACT WT		ISSUED DH		DATE 6/11/20	DWG NO. PVX-340T
CALC WT		SCALE 1=2.5		REV B	
				SHEET 1 OF 1	