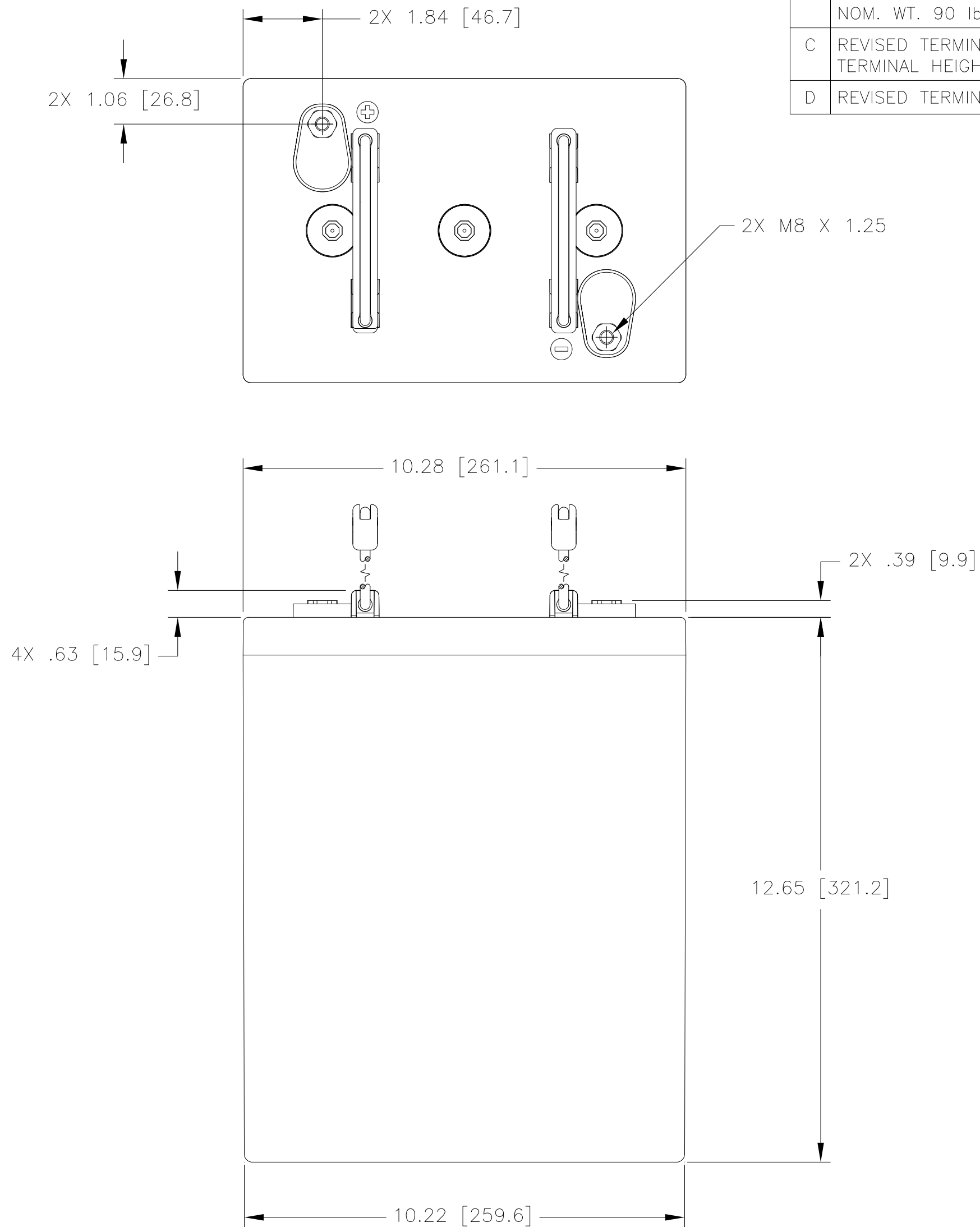


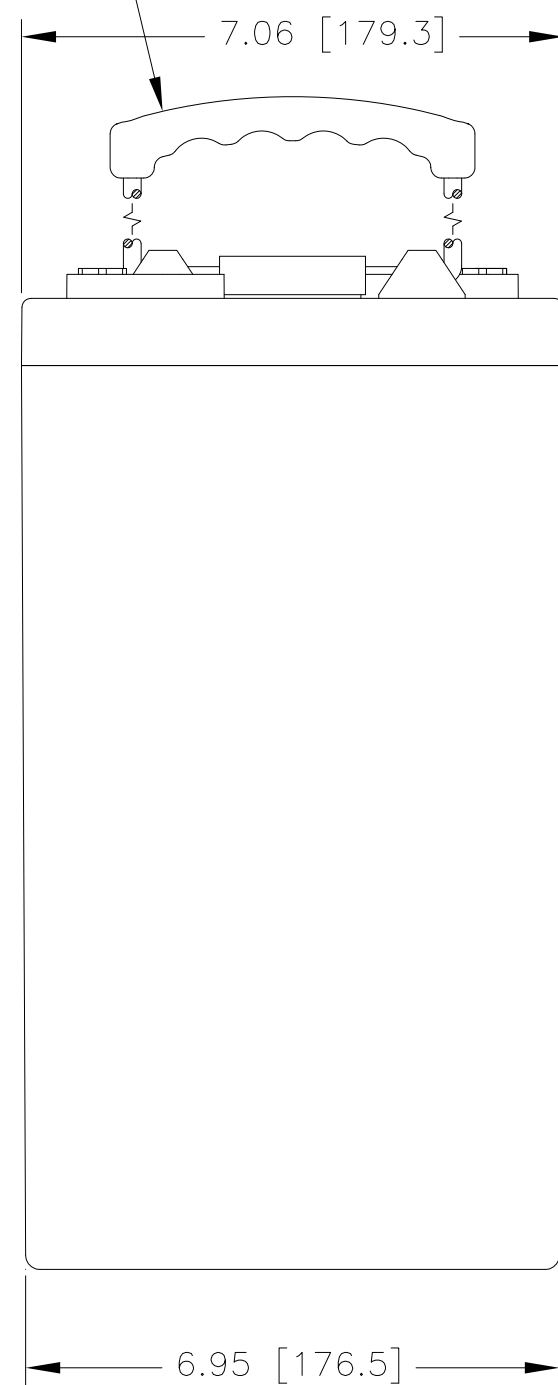
NOTES: UNLESS OTHERWISE SPECIFIED

1. SEE DRAWING NO. CB-00288 AND PROCEDURE P-1000 FOR ASSEMBLY AND TEST INSTRUCTION. PROCEDURES AND ASSEMBLY DRAWINGS ARE FOR INTERNAL USE ONLY.
2. ALL TESTING IS PERFORMED IAW BATTERY COUNCIL INTERNATIONAL STANDARDS.
3. DIMENSIONS ARE INCH [MILLIMETER].
4. TERMINAL HARDWARE KIT PROVIDED, PART NUMBER 6923.

REVISIONS			
REV	DESCRIPTION	DATE	APPROVED
A	CHANGED HANDLE DIRECTION	2/26/07	JBT
B	CHANGED COVER & HANDLE, NOM. WT. 90 lbs WAS 82 lbs	11/6/07	JBT
C	REVISED TERMINAL DAMS, TERMINAL HEIGHT & HANDLES	9/16/09	JBT
D	REVISED TERMINAL HEIGHT	6/12/20	PH



2X ROPE LIFTING HANDLES



CAPACITY RATINGS	
PART NUMBER	AGM-6300T
NOMINAL WEIGHT	90 LBS [40.8 KG]
AMPERE HOUR CAPACITY @ 20 HOUR 1.75 VOLTS/CELL @ 77°F (25° C)	300 AH
MINUTES OF DISCHARGE @ 25 AMPS 1.75 VOLTS/CELL @ 77°F (25° C)	692 MIN

ENVELOPE DRAWING

QTY REQD	CAGE CODE	PART OR IDENTIFYING NO.	NOMENCLATURE OR DESCRIPTION	MATERIAL SPECIFICATION	ITEM NO.
PARTS LIST					
UNLESS OTHERWISE SPECIFIED DIMENSIONS ARE IN INCHES TOLERANCES ARE:			CONTRACT NO.		
FRACTIONS DECIMALS ANGLES			APPROVALS DATE		
± 1/32 .XX ± .12 ± 1°			DRAWN D. AYALA 12/15/06		
.XXX ± .060			CHECKED AMIII 1/9/07		
TREATMENT NONE			APPROVED JBT 1/10/07		
FINISH NONE			ISSUED DH 6/16/20		
SIMILAR TO			TITLE		
ACT WT			CONCORDE BATTERY CORPORATION		
CALC WT			2009 SAN BERNARDINO RD, W. COVINA, CA 91790		
			BATTERY, 6 VOLT, AGM-6300T		
			SIZE C CAGE CODE 63017 DWG NO. AGM-6300T REV D		
			SCALE 1=2.5 SHEET 1 OF 1		