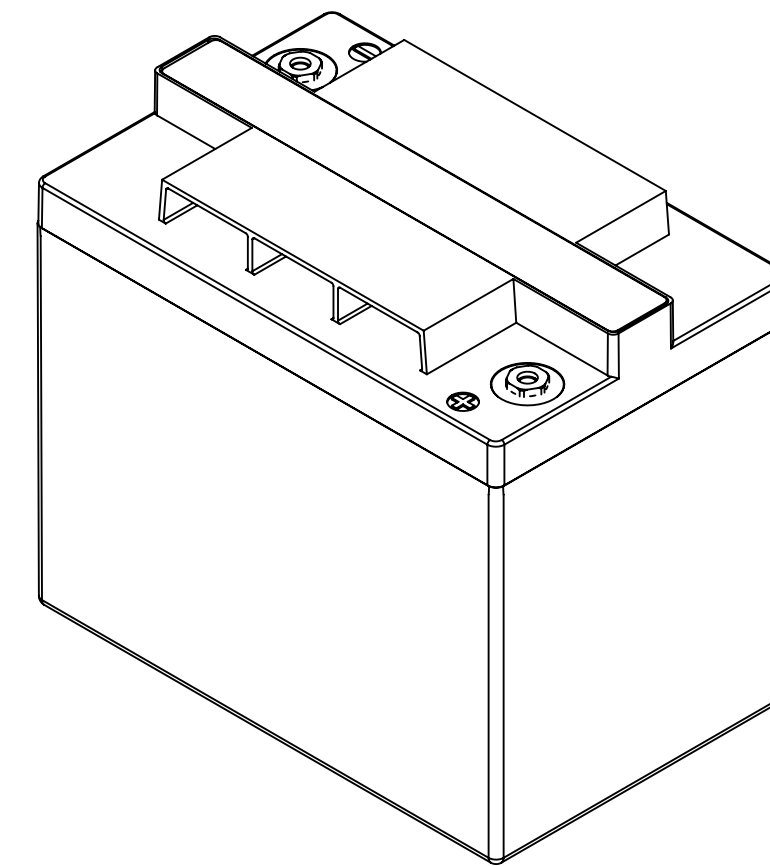
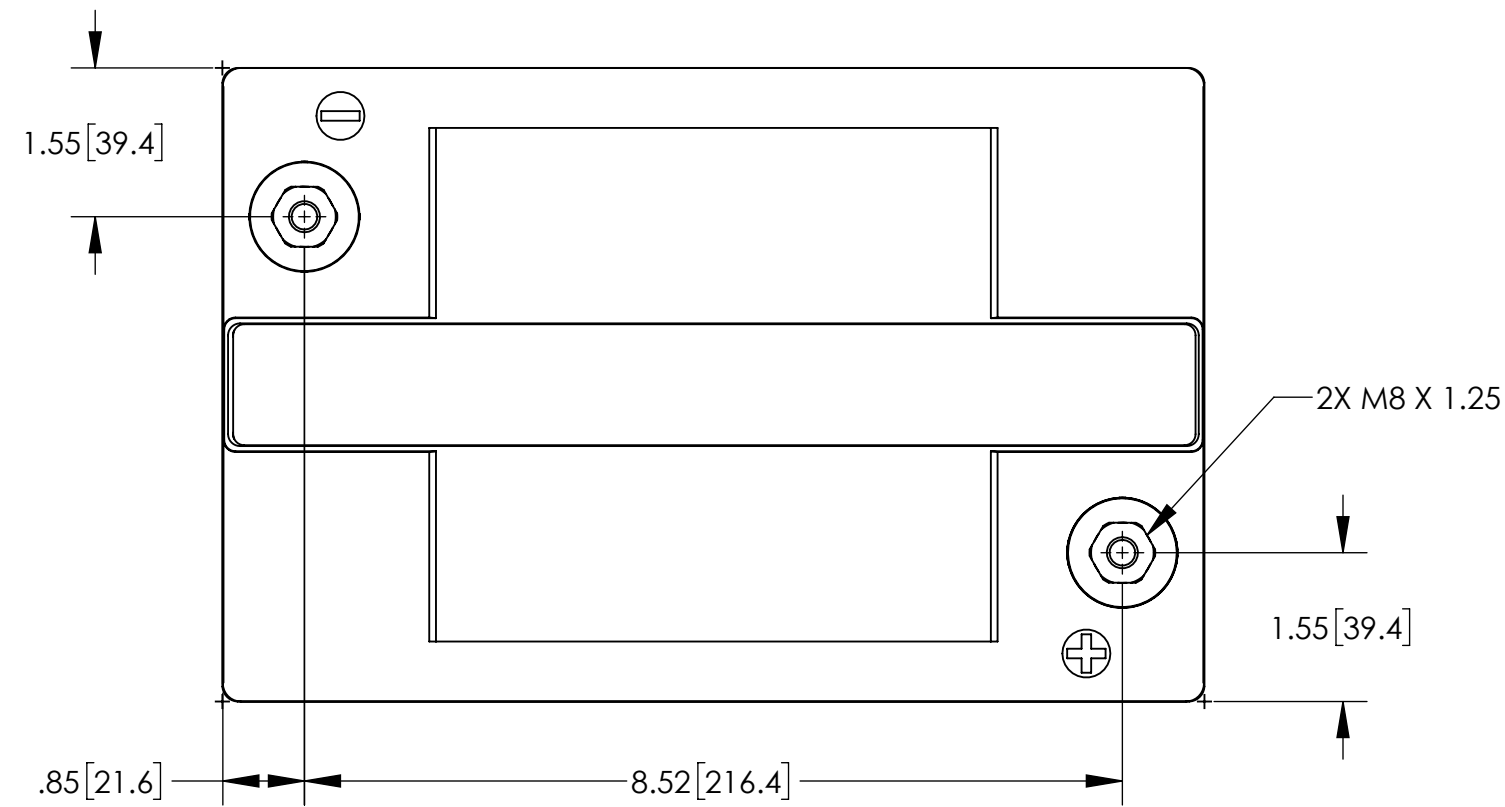


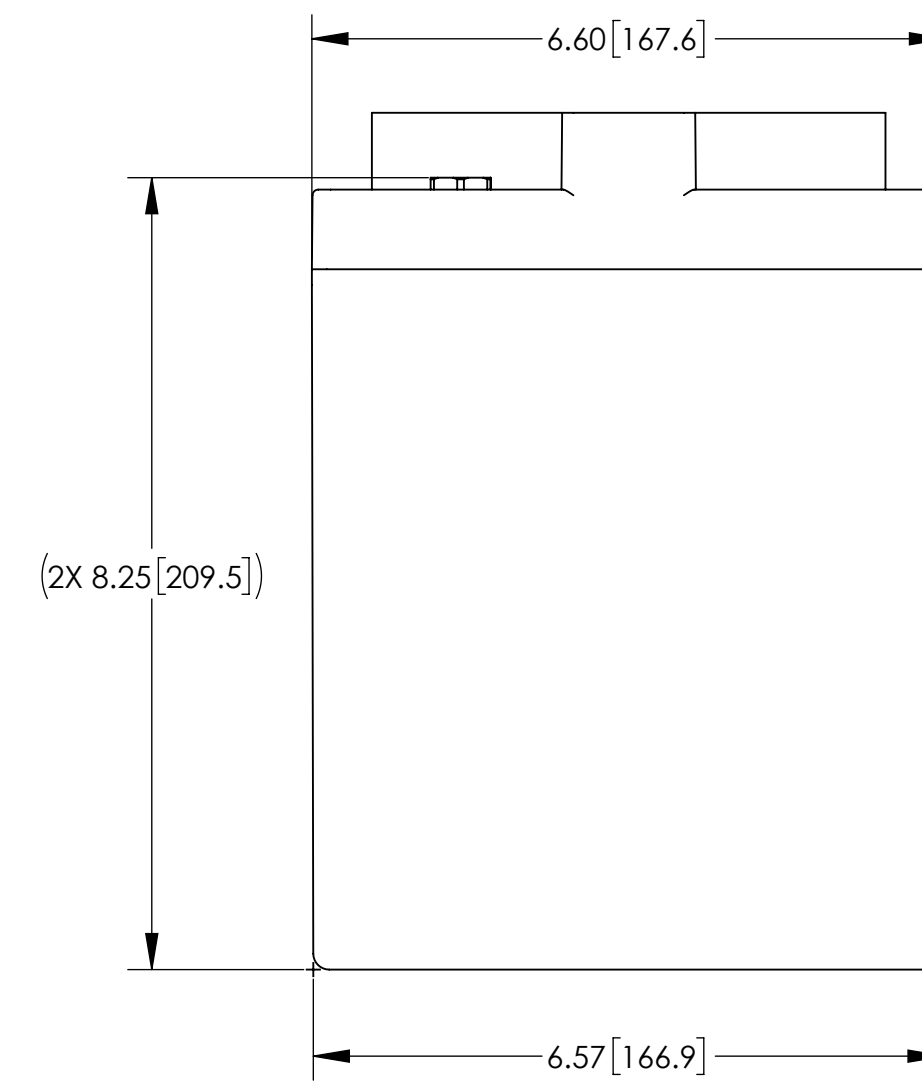
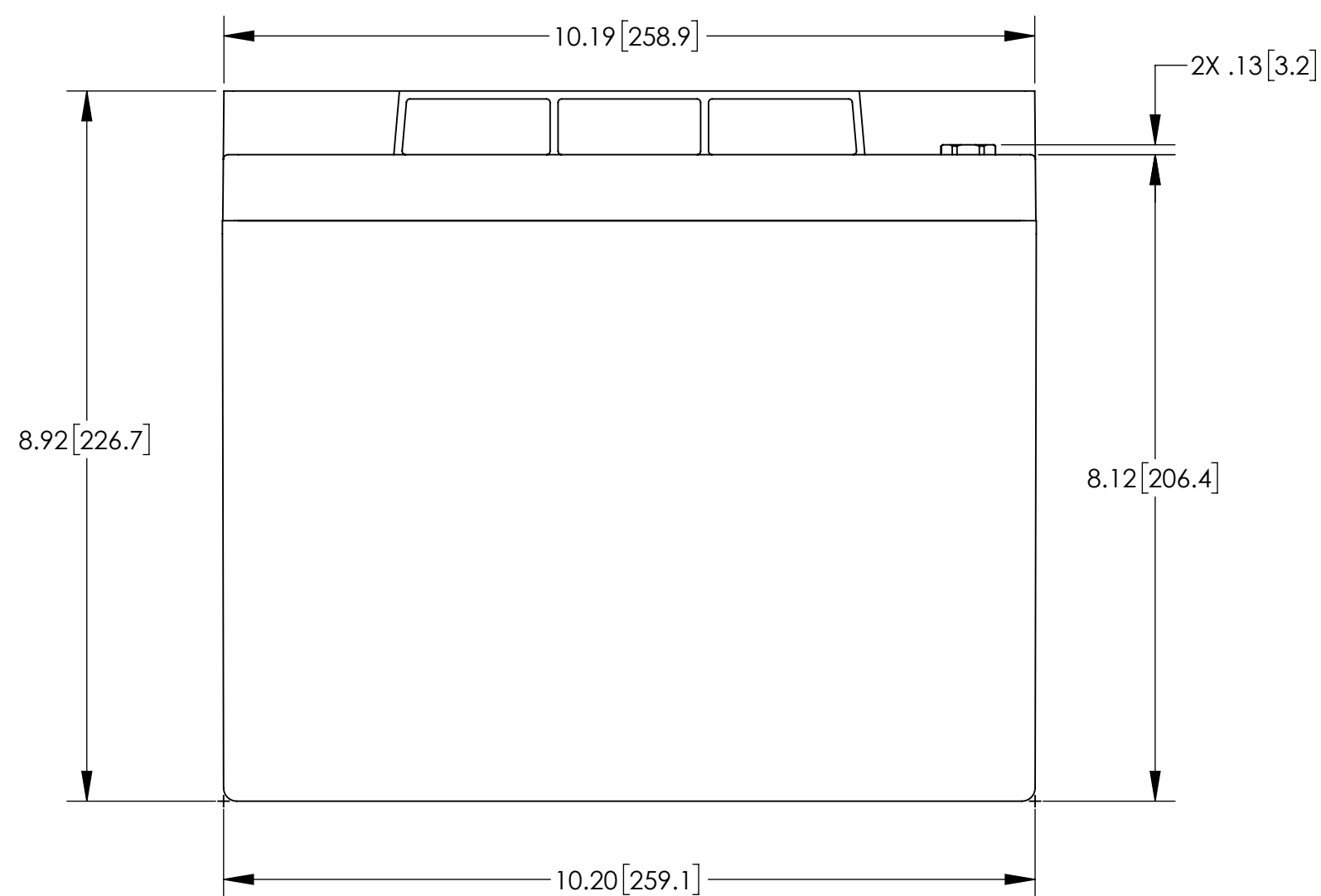
NOTES: UNLESS OTHERWISE SPECIFIED

1. SEE DRAWING NO. CB-00279 AND PROCEDURE P-1000 FOR ASSEMBLY AND TEST INSTRUCTION. PROCEDURES AND ASSEMBLY DRAWINGS ARE FOR INTERNAL USE ONLY.
2. ALL TESTING IS PERFORMED IAW BATTERY COUNCIL INTERNATIONAL STANDARDS.
3. DIMENSIONS ARE INCH [MILLIMETER].
4. TERMINAL HARDWARE KIT PROVIDED, PART NUMBER 6923.

REVISIONS			
REV	DESCRIPTION	DATE	APPROVED
A	STANDARDIZED ENVELOPE, DEL TERMINAL PROTECTORS, ADDED NOTE 4	7/17/20	PH
B	REVISED CONTAINER	11/10/21	PH



REFERENCE VIEW



ENVELOPE DRAWING

CAPACITY RATINGS	
PART NUMBER	AGM-6100T
NOMINAL WEIGHT	42 LBS [19.1 KG]
AMPERE HOUR CAPACITY @ 20 HOUR 1.75 VOLTS/CELL @ 77°F (25°C)	100 AH
MINUTES OF DISCHARGE @ 25 AMPS 1.75 VOLTS/CELL @ 77°F (25°C)	193 MIN

UNLESS OTHERWISE SPECIFIED DIMENSIONS ARE IN INCHES TOLERANCES ARE:			CONTRACT NO.		CONCORDE BATTERY CORPORATION 2009 SAN BERNARDINO RD, W. COVINA, CA 91790		
FRACTIONS	DECIMALS	ANGLES	APPROVALS	DATE	TITLE		
±1/32	.XX ± .12 .XXX ± .060	±1°	DRAWN A. MISTRETTA	9/27/05	BATTERY, 6 VOLT, AGM-6100T		
TREATMENT	NONE	CHECKED AMIII	9/28/05	SIZE	CAGE CODE	DWG NO.	REV
FINISH	NONE	APPROVED JBT	9/28/05	C	63017	AGM-6100T	B
SIMILAR TO	CALC WT	ISSUED DH	11/17/21	SCALE	1:8	SHEET	1 OF 1