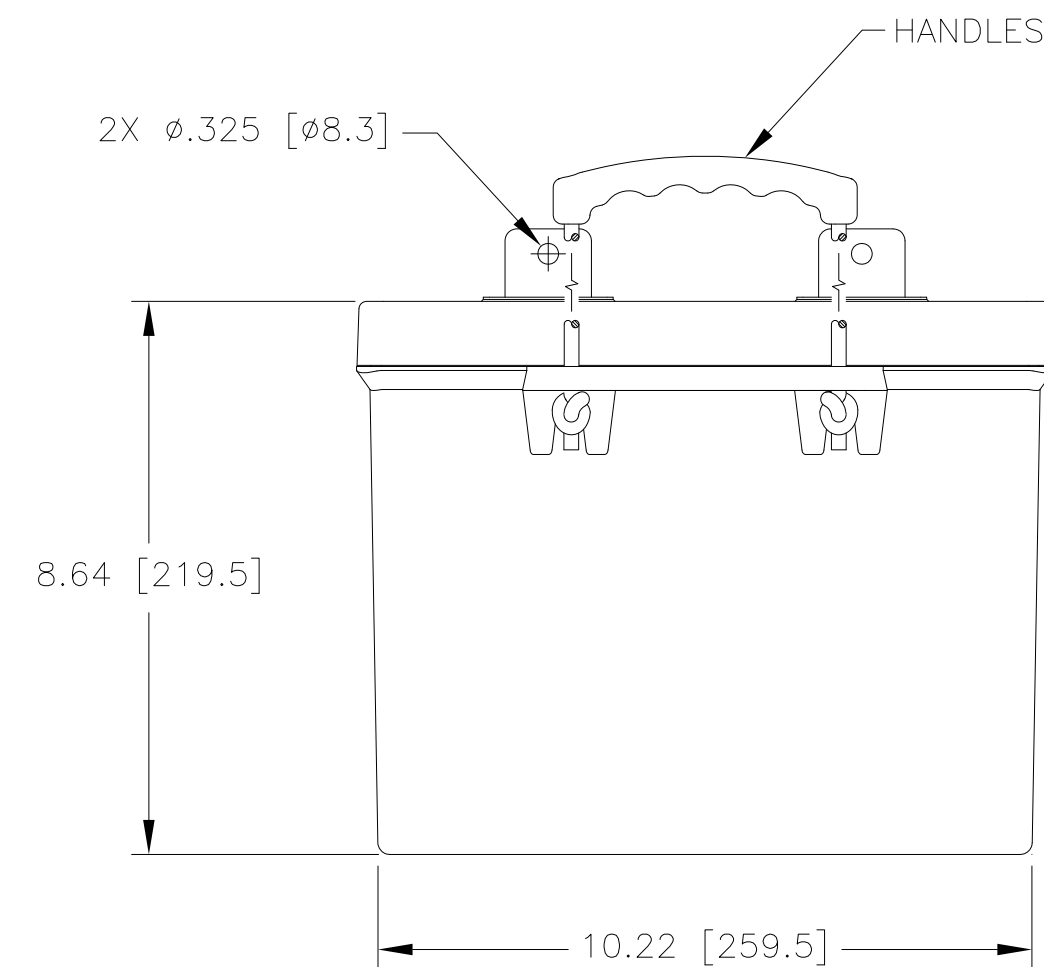
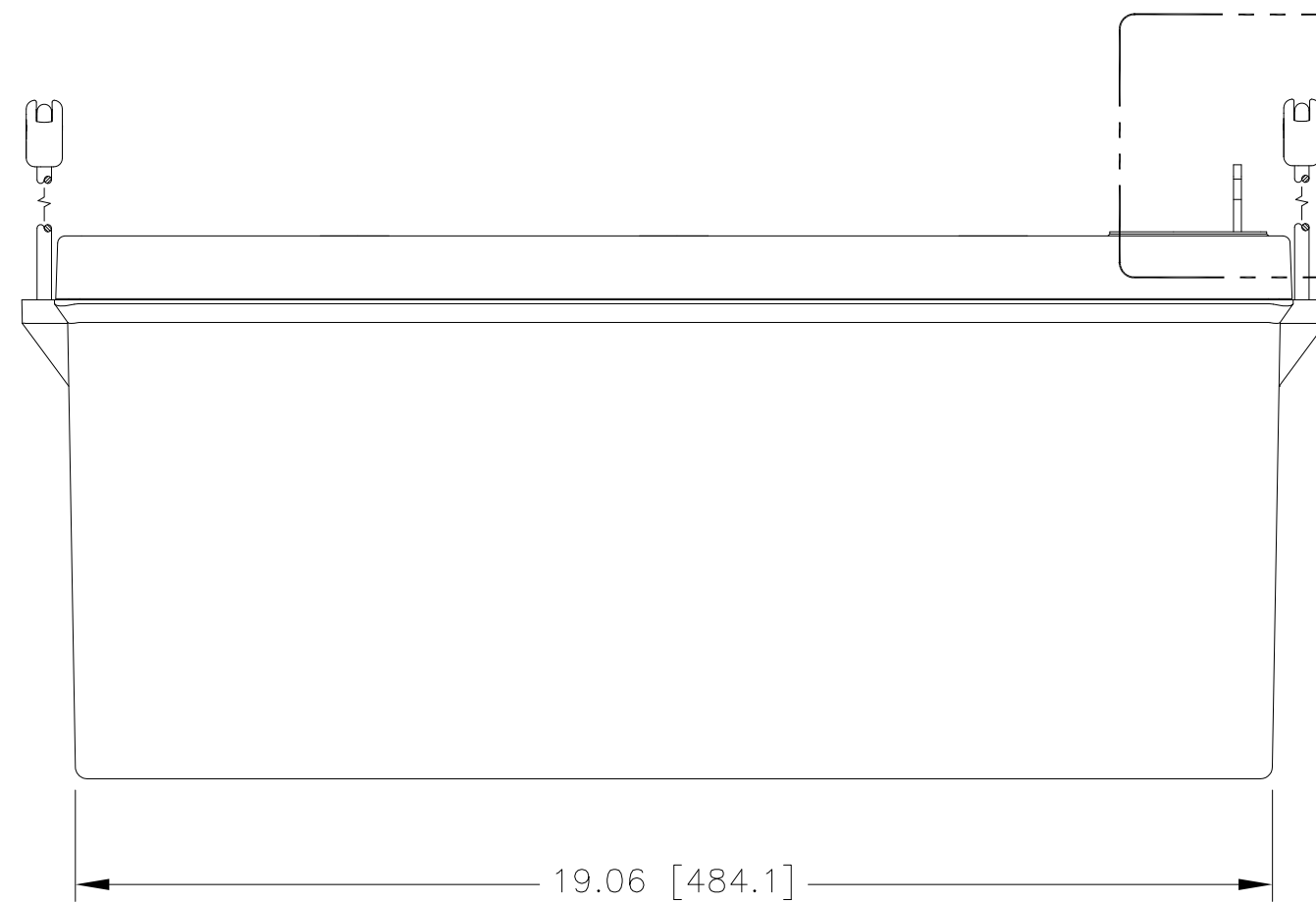
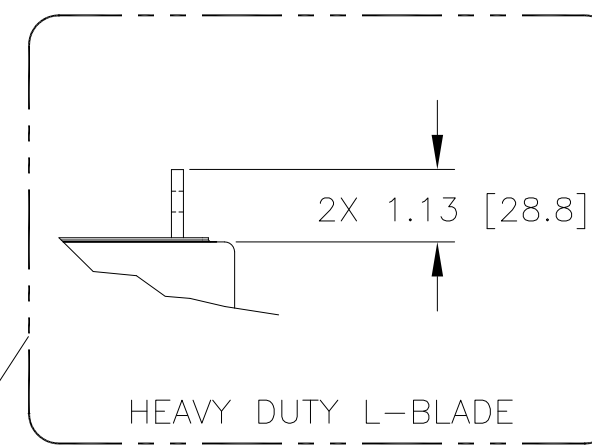
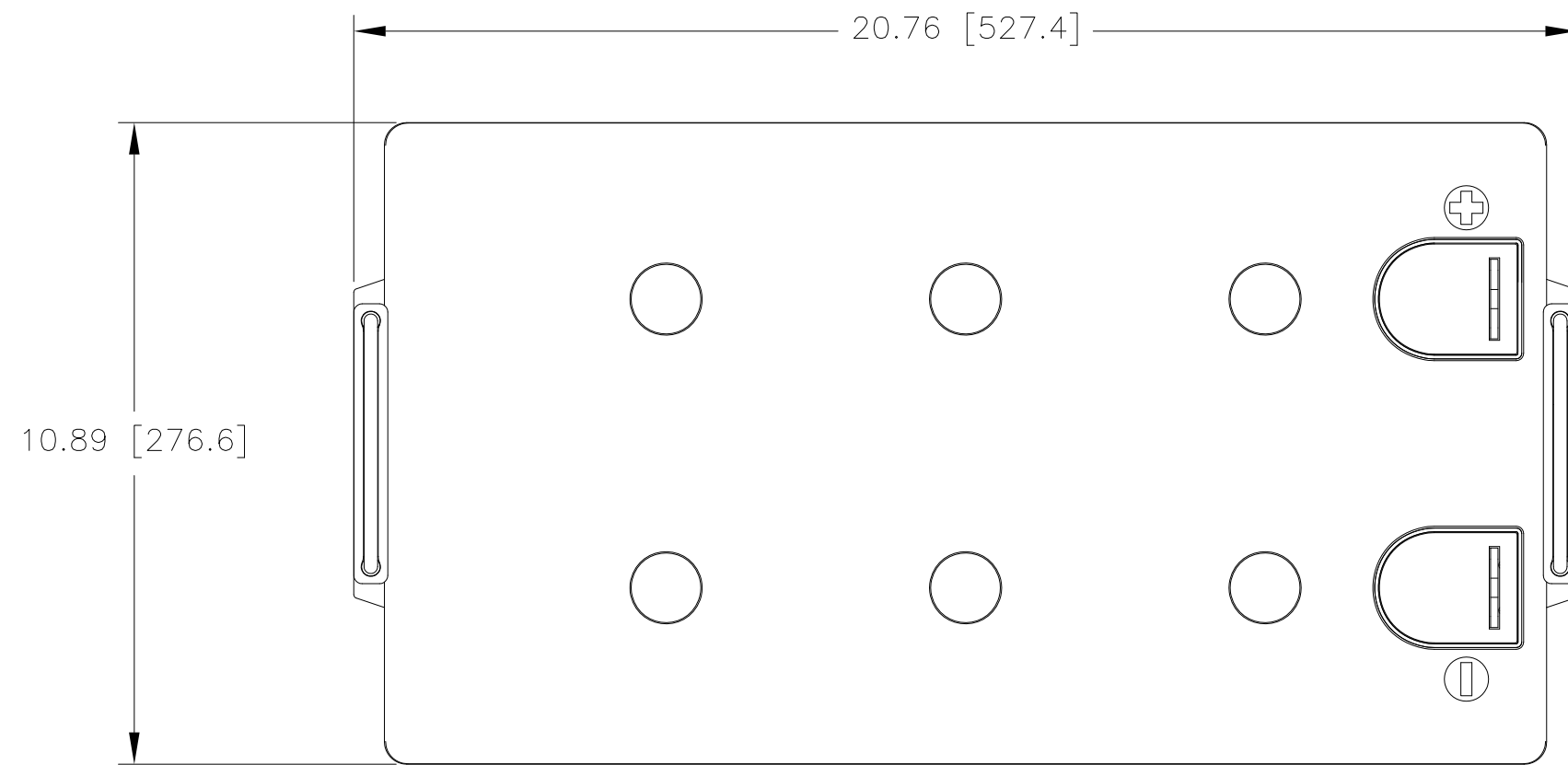


NOTES: UNLESS OTHERWISE SPECIFIED

1. SEE DRAWING NO. CB-00295 AND PROCEDURE P-1000 FOR ASSEMBLY AND TEST INSTRUCTION. PROCEDURES AND ASSEMBLY DRAWINGS ARE FOR INTERNAL USE ONLY.
2. ALL TESTING IS PERFORMED IAW BATTERY COUNCIL INTERNATIONAL STANDARDS.
3. DIMENSIONS ARE INCH [MILLIMETER].
4. TERMINAL HARDWARE KIT PROVIDED, PART NUMBER 6916.

| REVISIONS |             |      |          |
|-----------|-------------|------|----------|
| REV       | DESCRIPTION | DATE | APPROVED |
|           |             |      |          |



| CAPACITY RATINGS   |                  |
|--|------------------|
| PART NUMBER  | AGM-12255L       |
| NOMINAL WEIGHT   | 156 LBS[70.8 KG] |
| AMPERE HOUR CAPACITY @ 20 HOUR<br>1.75 VOLTS/CELL @ 77°F (25° C) | 255 AH           |
| MINUTES OF DISCHARGE @ 25 AMPS<br>1.75 VOLTS/CELL @ 77°F (25° C) | 550 MIN          |

ENVELOPE DRAWING

| QTY REQD  | CAGE CODE   | PART OR IDENTIFYING NO. | NOMENCLATURE OR DESCRIPTION   | MATERIAL SPECIFICATION | ITEM NO.                        |
|---|-------------|-------------------------|---|------------------------|---------------------------------|
| PARTS LIST  |             |                         |   |                        |                                 |
| UNLESS OTHERWISE SPECIFIED DIMENSIONS ARE IN INCHES TOLERANCES ARE: |             |                         | CONCORDE BATTERY CORPORATION<br>2009 SAN BERNARDINO RD, W. COVINA, CA 91790 |                        |                                 |
| FRACTIONS   | DECIMALS    | ANGLES                  | APPROVALS   | DATE                   | TITLE                           |
| ± 1/32  | .XX ± .12   | ± 1°                    | N. SANCHEZ  | 7/22/20                | BATTERY, 12 VOLT,<br>AGM-12255L |
|   | .XXX ± .060 |                         | CHECKED   | AMIII                  | 7/23/20                         |
| TREATMENT   | NONE        |                         | APPROVED  | PH                     | 7/23/20                         |
| FINISH  | NONE        |                         | ISSUED  | DH                     | 7/27/20                         |
| SIMILAR TO  | ACT WT      | CALC WT                 |   |                        |                                 |
|   |             |                         | SCALE   | NONE                   | SHEET 1 OF 1                    |