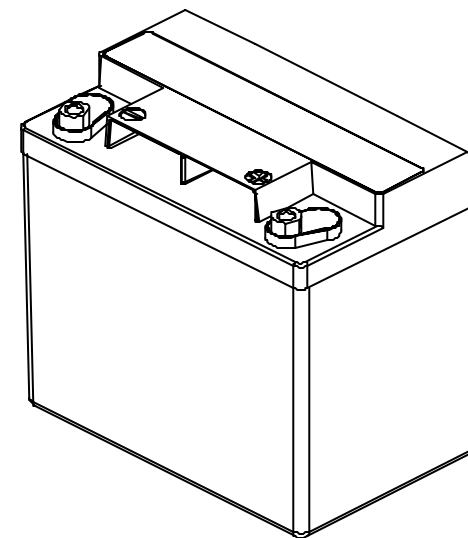
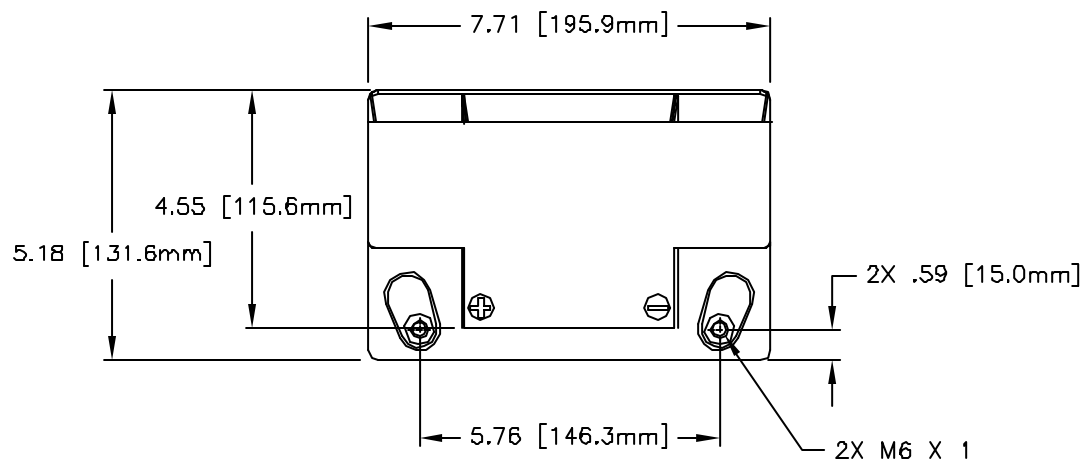


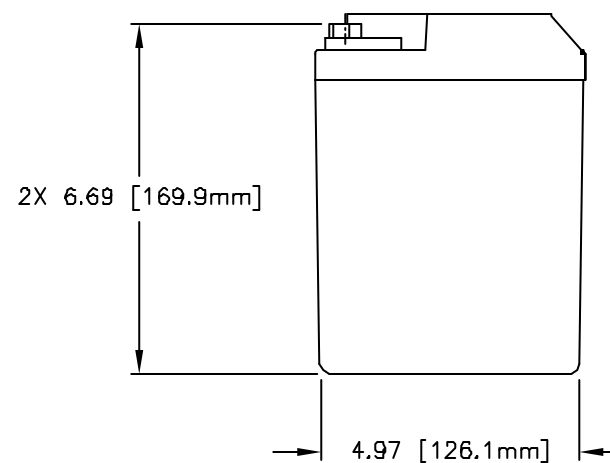
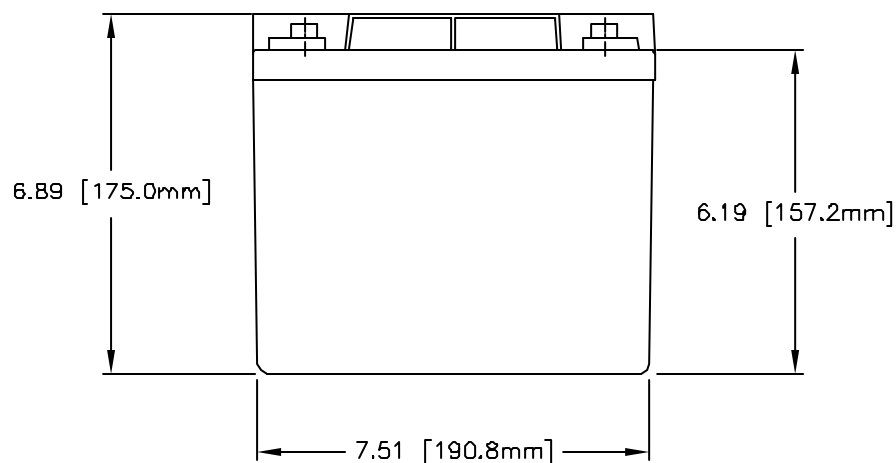
NOTES: UNLESS OTHERWISE SPECIFIED

1. SEE DRAWING NO. CB-00293 AND PROCEDURE P-1000 FOR ASSEMBLY AND TEST INSTRUCTION. PROCEDURES AND ASSEMBLY DRAWINGS ARE FOR INTERNAL USE ONLY.
2. ALL TESTING ARE IAW BATTERY COUNCIL INTERNATIONAL STANDARDS.
3. ALL DIMENSION ARE IN INCHES [MM].

REVISIONS			
REV	DESCRIPTION	DATE	APPROVED
A	ADDED STANDARD NOTES	12/23/00	JBT



REFERENCE VIEW



CAPACITY RATINGS	
PART NUMBER	AGM-1234T
NOMINAL WEIGHT	24 LBS[10.9 KG]
AMPERE HOUR CAPACITY @ 20 HOUR 1.75 VOLTS/CELL @ 77°F (25° C)	33 AH
MINUTES OF DISCHARGE @ 25 AMPS 1.75 VOLTS/CELL @ 77°F (25° C)	50

ENVELOPE DRAWING

QTY REQD	CAGE CODE	PART OR IDENTIFYING NO.	NOMENCLATURE OR DESCRIPTION	MATERIAL SPECIFICATION	ITEM NO.
PARTS LIST					
UNLESS OTHERWISE SPECIFIED DIMENSIONS ARE IN INCHES TOLERANCES ARE: FRACTIONS DECIMALS ANGLES .XX ± .005 .XXX ± .000			CONTRACT NO.	CONCORDE BATTERY CORPORATION 2009 SAN BERNARDINO RD, W. COVINA, CA 91790	
TREATMENT NONE			APPROVALS	DATE	TITLE
FINISH NONE			DRAWN ELH	8/13/99	BATTERY, 12 VOLT, AGM-1234T
SIMILAR TO			CHECKED AMIII	8/13/99	SIZE C
			APPROVED JBT	8/13/99	CAGE CODE 63017
			ISSUED AT	1/11/01	DWG NO. AGM-1234T
					REV A
					SCALE 1=2.5
					SHEET 1 OF 1

ENGINEERING COPY 11JAN01